

## 特点 Features

标准的3.2 X 2.5 X 1.2 mm陶瓷封装表面贴装形式

3.3V 2.5V 1.8V工作电压

可接受带控制端

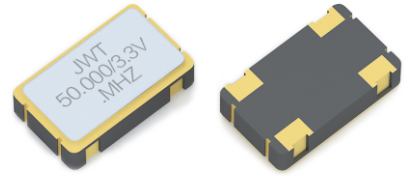
包装：每卷1000/2000/3000PCS

Typical 3.2 X 2.5 X 1.2 mm ceramic SMD package

3.3V 2.5V 1.8V Supply Voltage

Tri-State function available

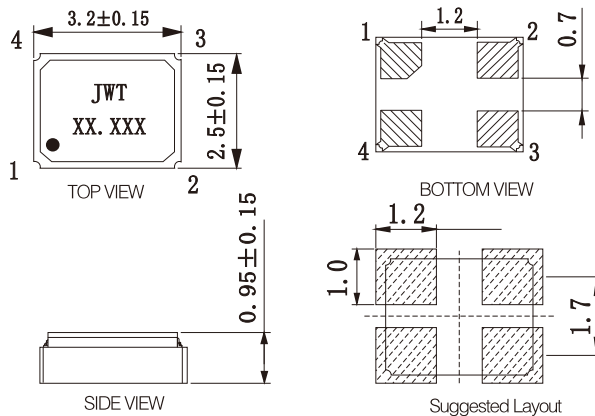
Packing: Tape & Reel, 1000/2000/3000 pcs per Reel



## 标准规格 Electronic Specification

型号 type	OSC 3225			Unit	
工作电压 Supply Voltage Variation(VDD)	3.3	2.5	1.8	V	
	VDD ± 10%			V	
频率范围 Frequency Range	0.032768, 1.25 ~ 125			MHz	
工作温度范围 Operating Temp. Range	-40 ~ 125			°C	
频率稳定性 Frequency Stability	± 20 ~ ± 50			ppm	
输出负载 Output Load	15			PF	
输入电流 Supply Current					
	32.768KHz	70 Max	66 Max	63 Max	mA
1.25MHz ~ 100MHz 100MHz ~ 125MHz	35 Max	30Max	25 Max	mA	
上升下降时间 Rise/Fall Time					
	32.768KHz	50 Max	50 Max	50 Max	nSec
	1.25MHz ~ 19.99MHz	4 Max	4 Max	5 Max	
	20MHz ~ 79.99MHz	3 Max	3 Max	4 Max	
80MHz ~ 125MHz	3 Max	3 Max	4 Max		
占空比 Duty Cycle	45 ~ 55			%	
启动时间 Start Time	2 Max			mSec	
输出水平 Out Level					
	Output Hight(Logic 1)	90%VDD Min		V	
Output Hight(Logic 0)	10%VDD Max				
三态输出 Tri-State					
	Enable (High voltage or floating)	0.7VDD Min		V	
Disable (Low voltage or GND)	0.3VDD Max				
待机电流 Standby Current	10			μ A	
贮存温度 Storage Temperature Range	-55 ~ 125			°C	

## 外型尺寸 Outline Dimensions (Unit:mm )



PIN	Function
#1	Tri-State
#2	GND
#3	Output
#4	VDD