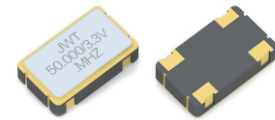


特点 Features

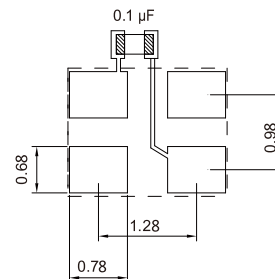
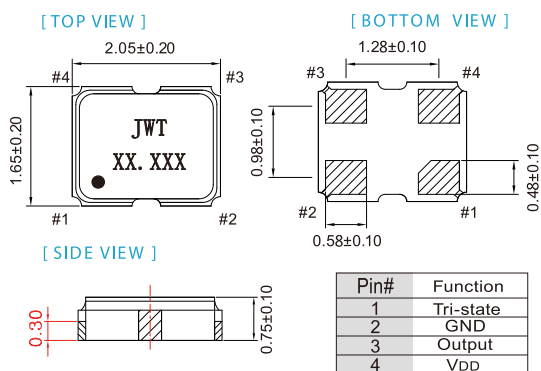
标准的2.0 X 1.6 X 0.75 mm陶瓷封装表面贴装形式
 3.3V 2.5V 1.8V工作电压
 可接受带控制端
 包装：每卷1000/2000/3000PCS
 Typical 2.0 X 1.6 X 0.75 mm ceramic SMD package
 3.3V 2.5V 1.8V Supply Voltage
 Tri-State function available
 Packing: Tape & Reel, 1000/2000/3000 pcs per Reel



标准规格 Electronic Specification

型号 type	OSC 2016			Unit
	3.3	2.5	1.8	
工作电压 Supply Voltage Variation(VDD)	VDD ± 10%			V
频率范围 Frequency Range	0.032768, 1.5 ~ 50			MHz
工作温度范围 Operating Temp. Range	-40 ~ 125			°C
频率稳定性 Frequency Stability	± 20 ~ ± 50			ppm
输出负载 Output Load	15			PF
输入电流 Supply Current	10 Max			mA
上升下降时间 Rise/Fall Time				nSec
	1.25MHz ~ 19.99MHz	4 Max	4 Max	
20MHz ~ 79.99MHz	3 Max	3 Max	4 Max	
占空比 Duty Cycle	45 ~ 55			%
启动时间 Start Time	2 Max			mSec
输出水平 Out Level				V
	Output Hight(Logic 1)	90%VDD Min		
Output Hight(Logic 0)	10%VDD Max			
三态输出 Tri-State				V
	Enable (High voltage or floating)	0.7VDD Min		
Disable (Low voltage or GND)	0.3VDD Max			
待机电流 Standby Current	10			μ A
贮存温度 Storage Temperature Range	-55 ~ 125			°C

外型尺寸 Outline Dimensions(Unit:mm)



To ensure optimal oscillator performance, place a by-pass capacitor of 0.1μF as close to the part as possible between Vdd and GND pads.